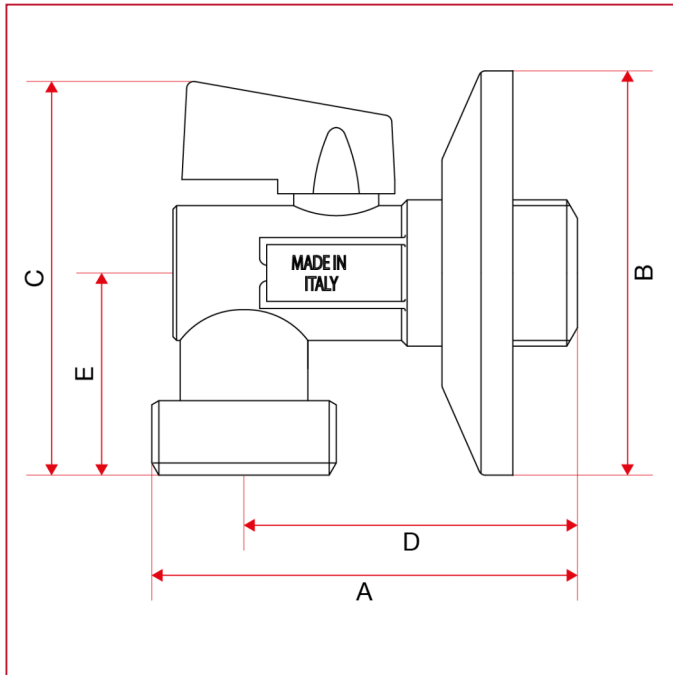




WASHING MACHINE VALVES

706 Washing machine ball valve

OVERALL DIMENSIONS



	1/2"
A	60,2
B	55
C	56,3
D	47
E	28,5
Kg/cm ² bar	8
LBS - psi	116