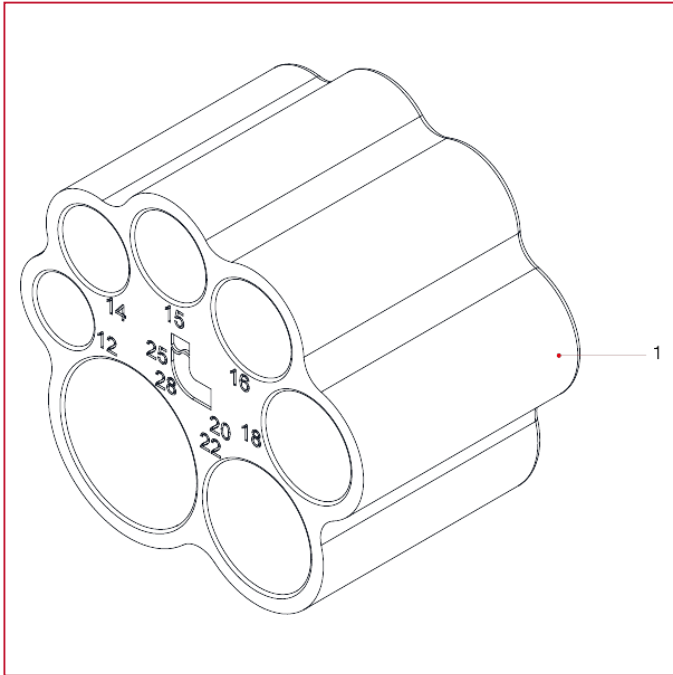




ITAP-FIT[®] FITTINGS

685 Depth gauge

MATERIALS



POS.	DESCRIPTION	N.	MATERIAL
1	Depth gauge	1	ABS