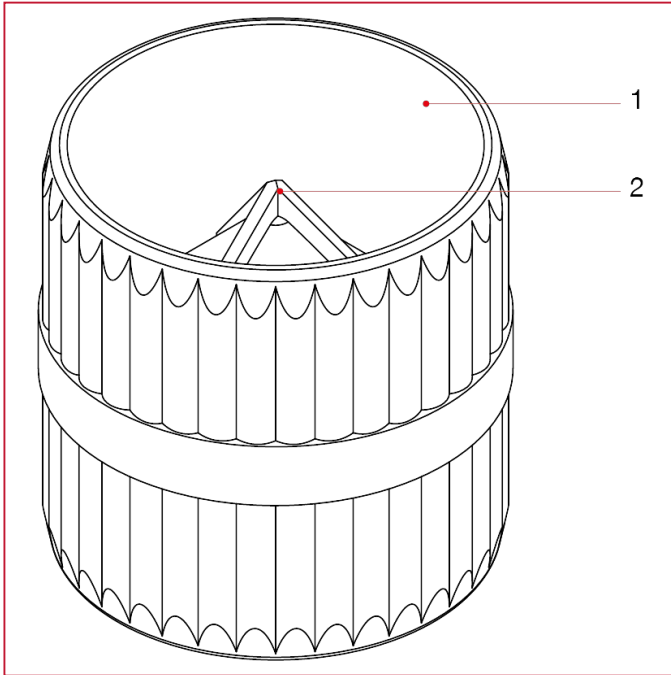




FITTINGS FOR MULTILAYER, PEX, POLYBUTYLENE AND COPPER PIPE

680 Pipe deburring tool

MATERIALS



POS.	DESCRIPTION	N.	MATERIAL
1	Pipe deburring tool	1	Polymer
2	Blades	1	Hardened steel