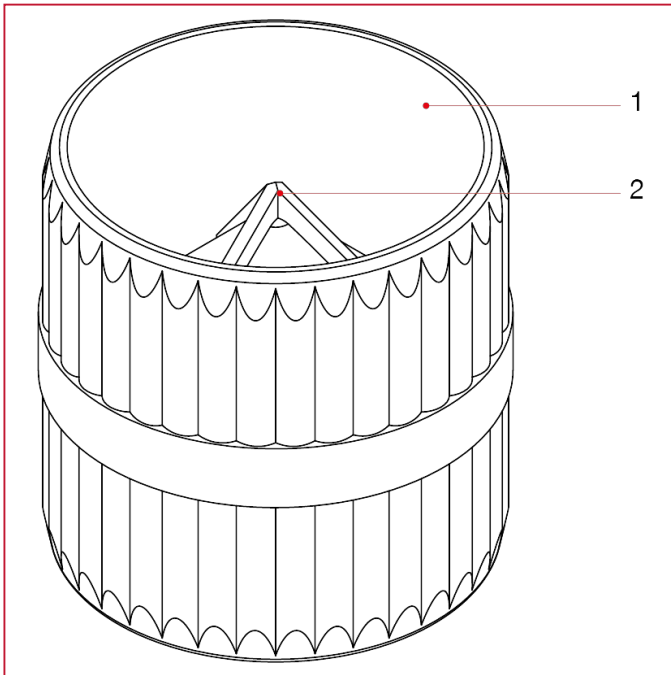




## FITTINGS FOR MULTILAYER, PEX, POLYBUTYLENE AND COPPER PIPE

### 680 Pipe deburring tool

#### MATERIALS



POS.	DESCRIPTION	N.	MATERIAL
1	Pipe deburring tool	1	Polymer
2	Blades	1	Hardened steel