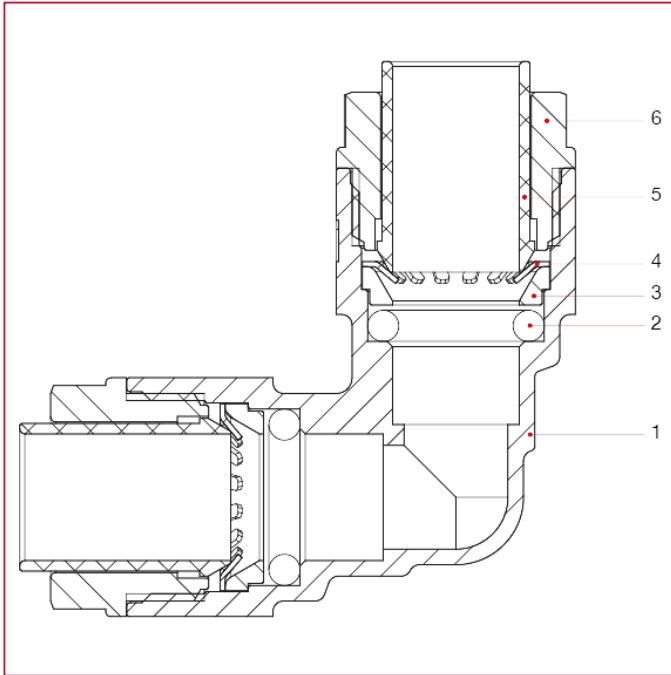




ITAP-FIT[®] FITTINGS

650 Elbow coupling

MATERIALS



POS.	DESCRIPTION	N.	MATERIAL
1	Body	1	Brass CW625N
2	O-ring	2	EPDM
3	Spacer	2	NIRETAN A EXL SC
4	Fastening ring	2	Stainless steel AISI 301
5	Release collar	2	GRIVORY GV-5H
6	End adapter	2	GRIVORY GV-5H