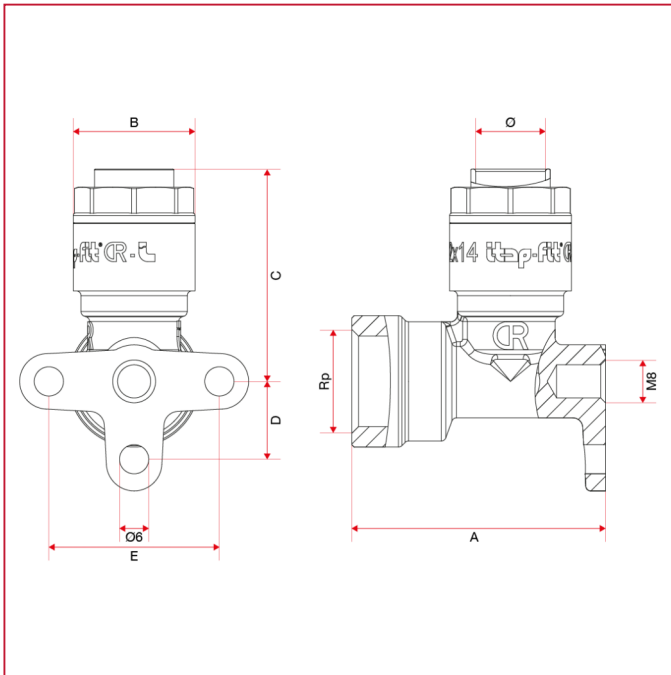




ITAP-FIT[®] FITTINGS

648 Backplate female elbow

OVERALL DIMENSIONS



	14x1/2"	15x1/2"	16x1/2"
A	52,1	53	54
B	25	26	27
C	43,6	43,9	44,6
D	16	16	16
E	35	35	35