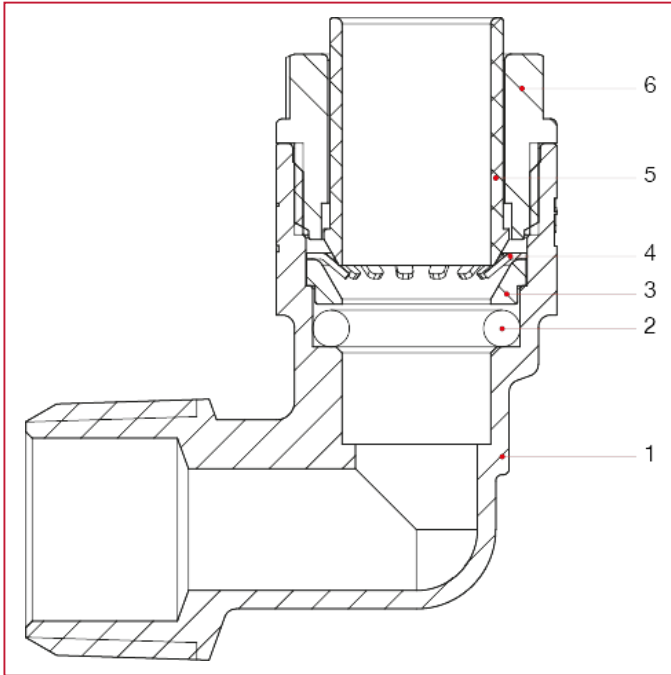




# ITAP-FIT<sup>®</sup> FITTINGS

## 640 Male elbow

### MATERIALS



POS.	DESCRIPTION	N.	MATERIAL
1	Body	1	Brass CW625N
2	O-ring	1	EPDM
3	Spacer	1	NIRETAN A EXL SC
4	Fastening ring	1	Stainless steel AISI 301
5	Release collar	1	GRIVORY GV-5H
6	End adapter	1	GRIVORY GV-5H