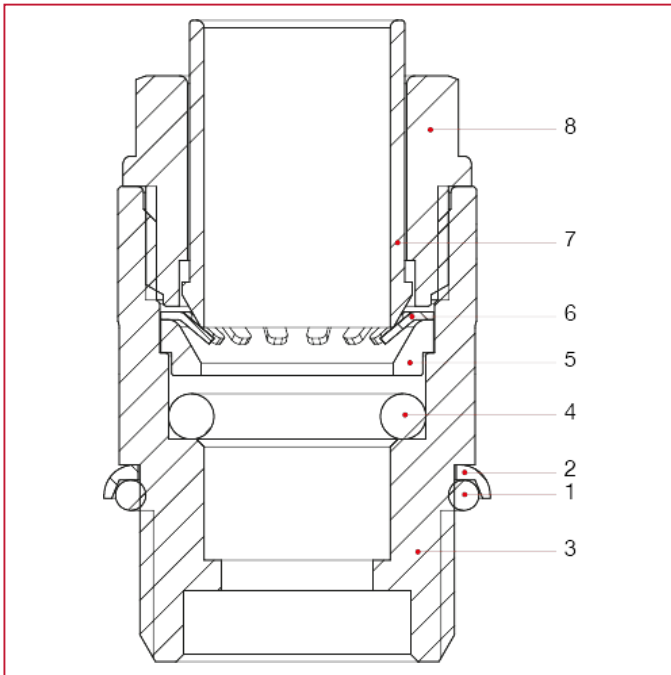




ITAP-FIT[®] FITTINGS

618 Nickel-plated straight male connector with an o-ring

MATERIALS



POS.	DESCRIPTION	N.	MATERIAL
1	O-ring	1	EPDM
2	Ring	1	Fe
3	Body	1	Nickel-plated brass CW617N
4	O-ring	1	EPDM
5	Spacer	1	NIRETAN A EXL SC
6	Fastening ring	1	Stainless steel AISI 301
7	Release collar	1	GRIVORY GV-5H
8	End adapter	1	GRIVORY GV-5H