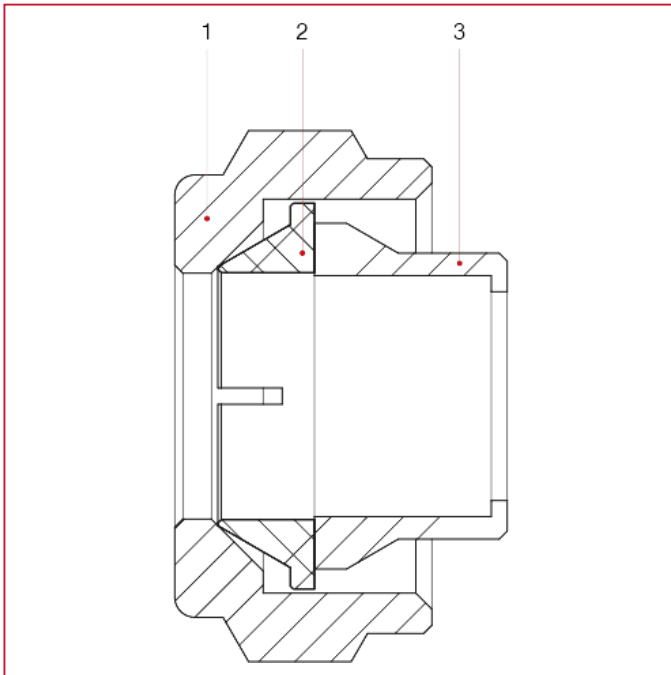




FITTINGS FOR MULTILAYER, PEX, POLYBUTYLENE AND COPPER PIPE

595 Compression fittings for copper pipe

MATERIALS



POS.	DESCRIPTION	N.	MATERIAL
1	Nut	1	Nickel-plated brass CW617N
2	Olive	1	Brass CW614N
3	Washer	1	EPDM