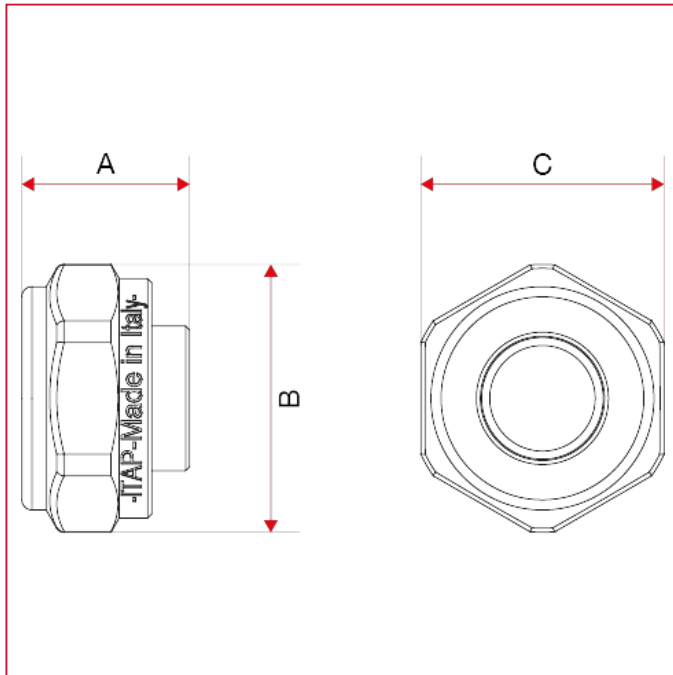




FITTINGS FOR MULTILAYER, PEX, POLYBUTYLENE AND COPPER PIPE

595 Compression fittings for copper pipe

OVERALL DIMENSIONS



595 size 1/2"

	1/2"x10	1/2"x12	1/2"x14	1/2"x15	1/2"x16
A	17	17	17	14,5	15,25
B	26,7	26,7	26,7	26,7	26,7
C	24	24	24	24	24
Kg/cm ² bar	10	10	10	10	10
LBS - psi	145	145	145	145	145

595 size 3/4"

	3/4"x15	3/4"x18
A	18,3	18
B	30	30
C	24	24
Kg/cm ² bar	10	10
LBS - psi	145	145