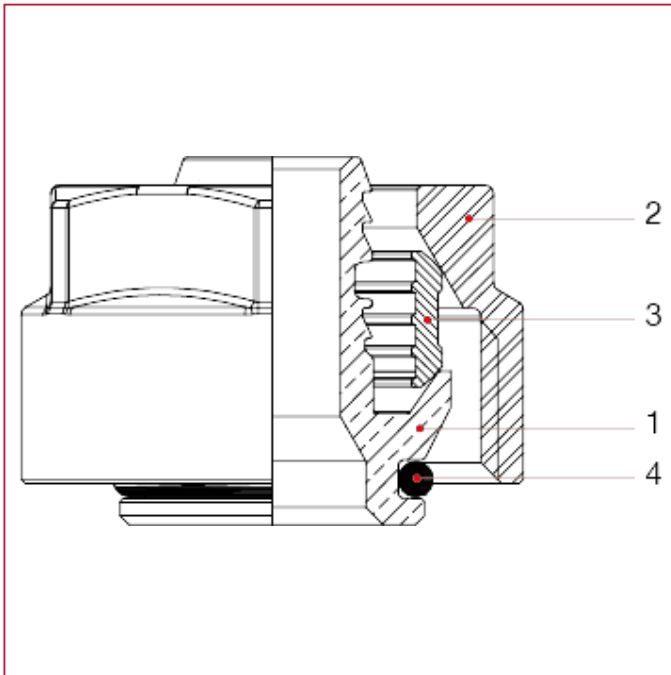




FITTINGS FOR MULTILAYER, PEX, POLYBUTYLENE AND COPPER PIPE

595P Nut and adapter for PEX pipe

MATERIALS



POS.	DESCRIPTION	N.	MATERIAL
1	Union	1	Brass CW614N
2	Nut	1	Nickel-plated brass CW617N
3	Ring	1	Brass CW614N
4	O-ring	1	EPDM