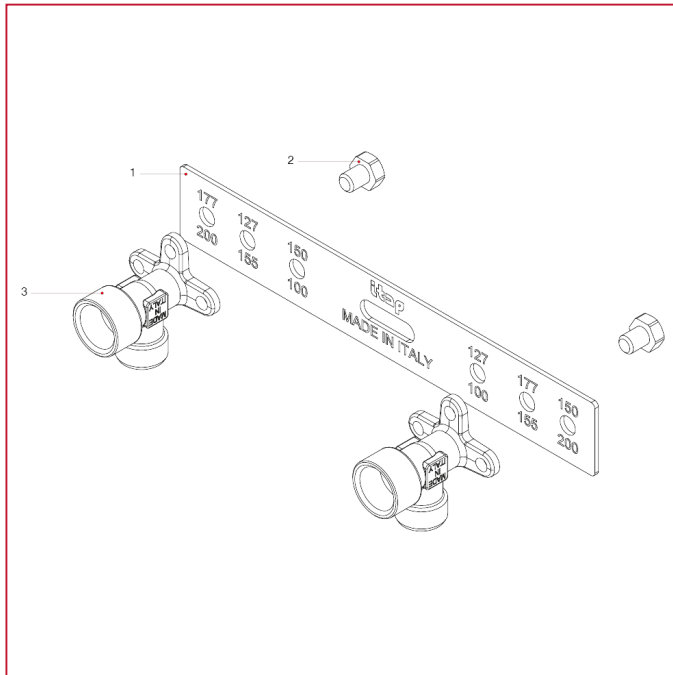




# FITTINGS FOR MULTILAYER, PEX, POLYBUTYLENE AND COPPER PIPE

## 578 Metal template with 2 backplate elbows

### MATERIALS



POS.	DESCRIPTION	N.	MATERIAL
1	Template	1	Steel P11
2	Screw	2	Fe
3	Elbow fitting	2	Nickel-plated brass CW617N