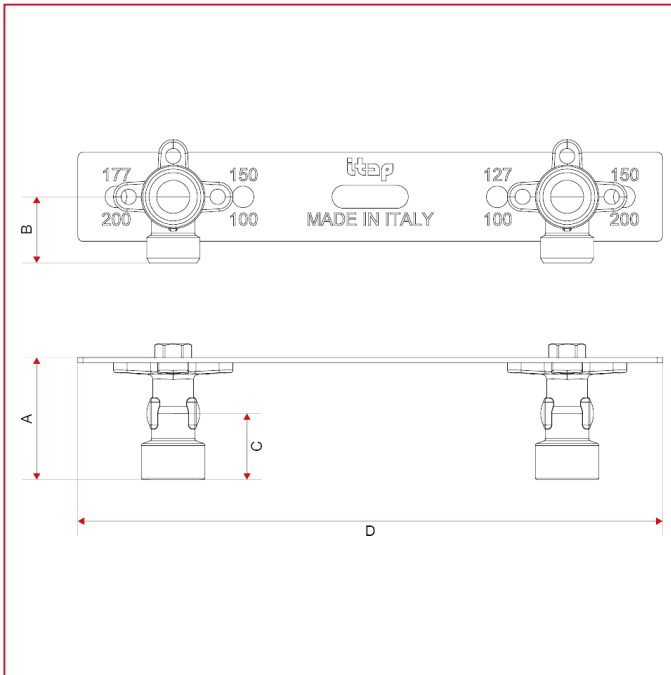




FITTINGS FOR MULTILAYER, PEX, POLYBUTYLENE AND COPPER PIPE

578 Metal template with 2 backplate elbows

OVERALL DIMENSIONS



	1/2"	3/4"
A	48	56
B	26	32
C	26	32
D	230	230
Kg/cm ² bar	20	20
LBS - psi	290	290