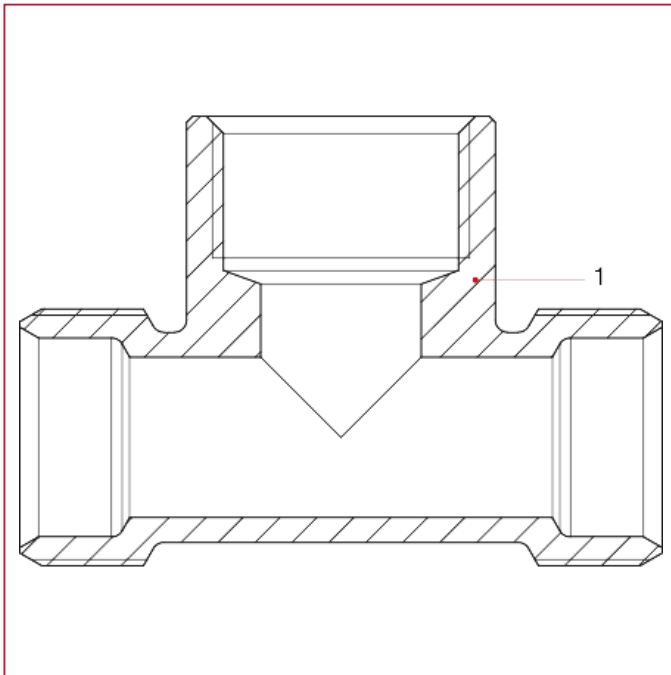




FITTINGS FOR MULTILAYER, PEX, POLYBUTYLENE AND COPPER PIPE

535 Female branch T coupling

MATERIALS



POS.	DESCRIPTION	N.	MATERIAL
1	Fitting	1	Nickel-plated brass CW617N