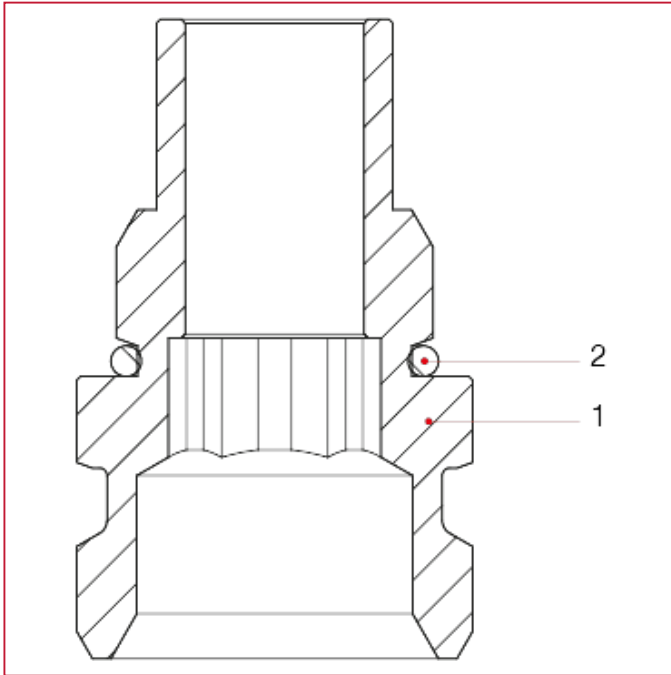




## ACCESSORIES FOR MANIFOLDS

### 519N Male/male adapter - 1"1/4 manifolds

#### MATERIALS



POS.	DESCRIPTION	N.	MATERIAL
1	Fitting	1	Nickel-plated brass CW614N
2	O-ring	1	EPDM