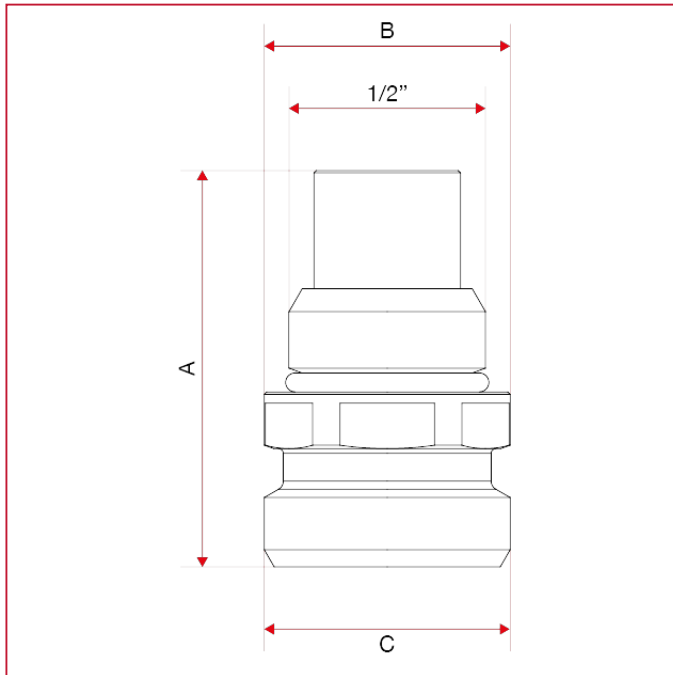




ACCESSORIES FOR MANIFOLDS

519N Male/male adapter - 1"1/4 manifolds

OVERALL DIMENSIONS



	1/2" - 3/4" EUR OKONUS
A	41,9
B	26
C	3/4"
Kg/cm ² bar	20
LBS - psi	290