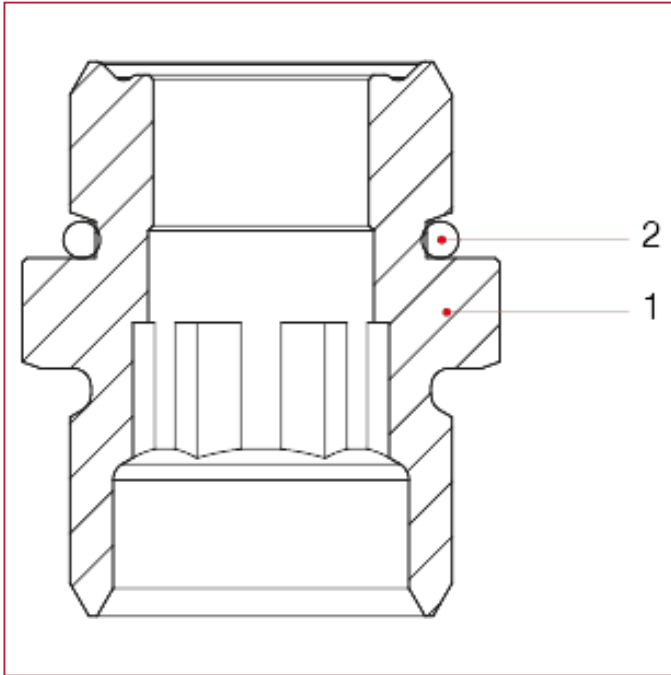




## ACCESSORIES FOR MANIFOLDS

### 518N Male/male adapter - 1" manifolds

#### MATERIALS



POS.	DESCRIPTION	N.	MATERIAL
1	Fitting	1	Nickel-plated brass CW614N
2	O-ring	1	EPDM