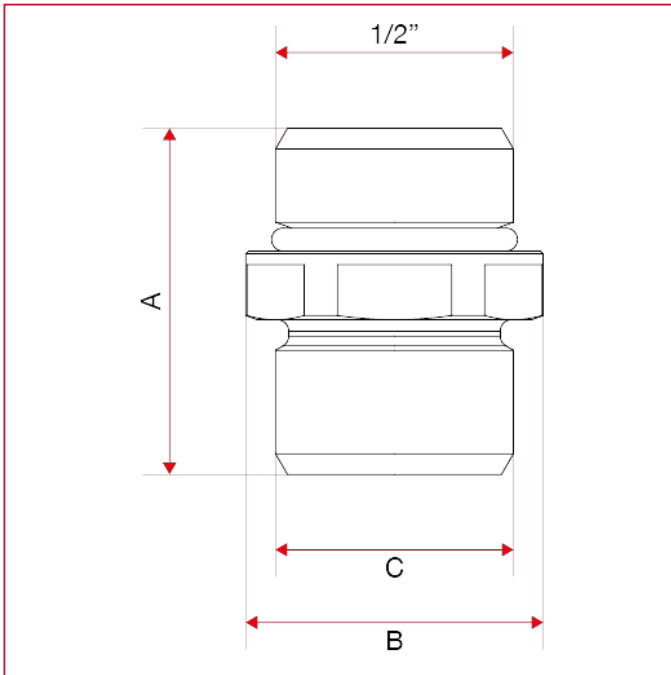




ACCESSORIES FOR MANIFOLDS

518N Male/male adapter - 1" manifolds

OVERALL DIMENSIONS



	1/2" - 1/2"	1/2" - 3/4" EUR OKONUS
A	30,2	29,2
B	26	26
C	1/2"	3/4"
Kg/cm ² bar	20	20
LBS - psi	290	290