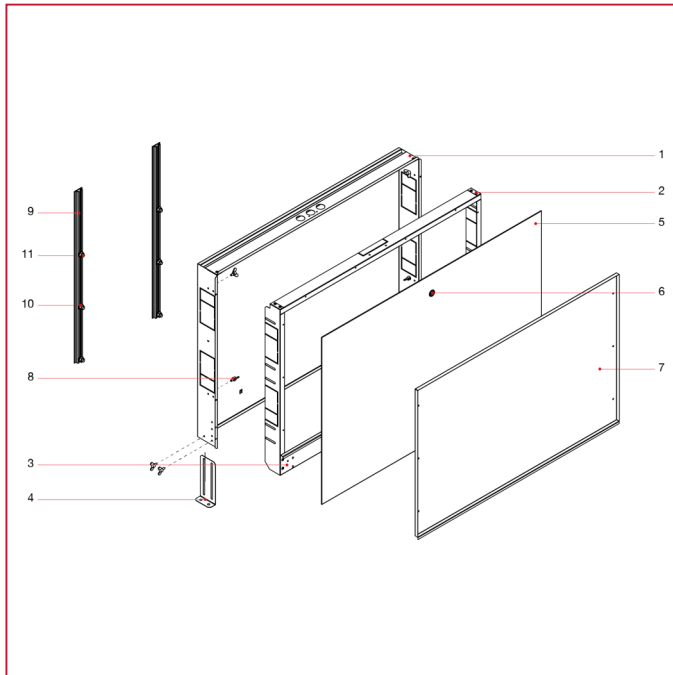




SET POINT REGULATING UNIT

498 Metal box for manifolds

MATERIALS



POS.	DESCRIPTION	N.	MATERIAL
1	Body	1	EN 10346 DX51+Z MAC
2	Telescopic frame	1	EN 10346 DX51+Z MAC
3	Fixed baseboard	1	EN 10346 DX51+Z MAC
4	Support bracket	2	EN 10346 DX51+Z MAC
5	Wall cover	1	EN 10346 DX51+Z MAC
6	Locking	1	Nickel-plated Zamak
7	Plastering cover	1	EN 10346 DX51+Z MAC
8	Butterfly screw	8	Fe 5.5 Zn Cr3
9	Manifold support profile	2	EN 485-1 AW 6061
10	Flanged nut	6	Fe 5.5 Zn Cr3
11	Square-head screw	6	Fe 8.8 Zn Cr3