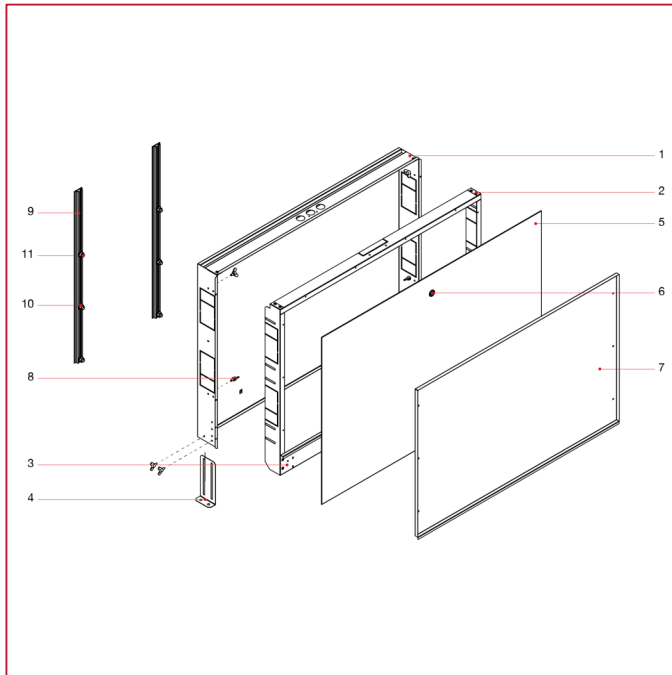




SET POINT REGULATING UNIT

498 Metal box for manifolds

MATERIALS



| POS. | DESCRIPTION | N. | MATERIAL |
|------|--------------------------|----|---------------------|
| 1 | Body | 1 | EN 10346 DX51+Z MAC |
| 2 | Telescopic frame | 1 | EN 10346 DX51+Z MAC |
| 3 | Fixed baseboard | 1 | EN 10346 DX51+Z MAC |
| 4 | Support bracket | 2 | EN 10346 DX51+Z MAC |
| 5 | Wall cover | 1 | EN 10346 DX51+Z MAC |
| 6 | Locking | 1 | Nickel-plated Zamak |
| 7 | Plastering cover | 1 | EN 10346 DX51+Z MAC |
| 8 | Butterfly screw | 8 | Fe 5.5 Zn Cr3 |
| 9 | Manifold support profile | 2 | EN 485-1 AW 6061 |
| 10 | Flanged nut | 6 | Fe 5.5 Zn Cr3 |
| 11 | Square-head screw | 6 | Fe 8.8 Zn Cr3 |