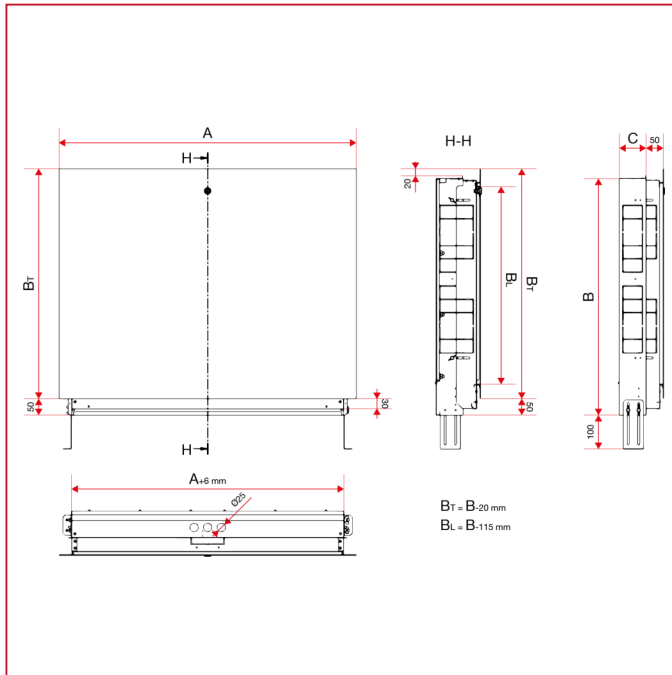




# METAL BOXES FOR MANIFOLDS

## 498 Metal box for manifolds

### OVERALL DIMENSIONS



	500x500x (80-130)	600x500x (80-130)	700x500x (80-130)	800x500x (80-130)	900x500x (80-130)	1000x500 x(80-130)	1100x500 x(80-130)
A	500	600	700	800	900	1000	1100
B	600	600	600	600	600	600	600
C	80	80	80	80	80	80	80