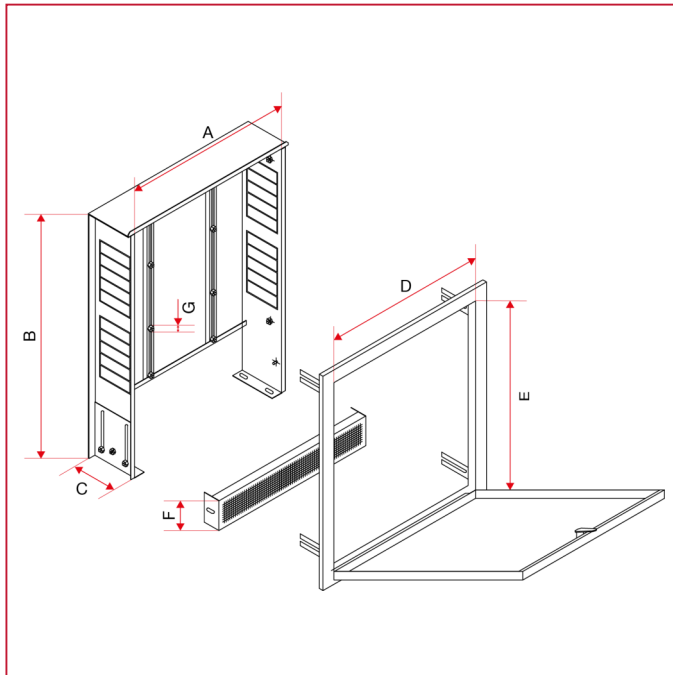




METAL BOXES FOR MANIFOLDS

498R Metal box for manifolds - compact model

OVERALL DIMENSIONS



	500x450x (90-130)	600x450x (90-130)	700x450x (90-130)	850x450x (90-130)	1000x450 x(90-130)	1100x450 x(90-130)
A	500	600	700	850	1000	1100
B	575	575	575	575	575	575
C	90 -130	90 -130	90 -130	90 -130	90 -130	90 -130
D	487	587	687	837	987	1087
E	450	450	450	450	450	450
F	70	70	70	70	70	70
G	M6	M6	M6	M6	M6	M6