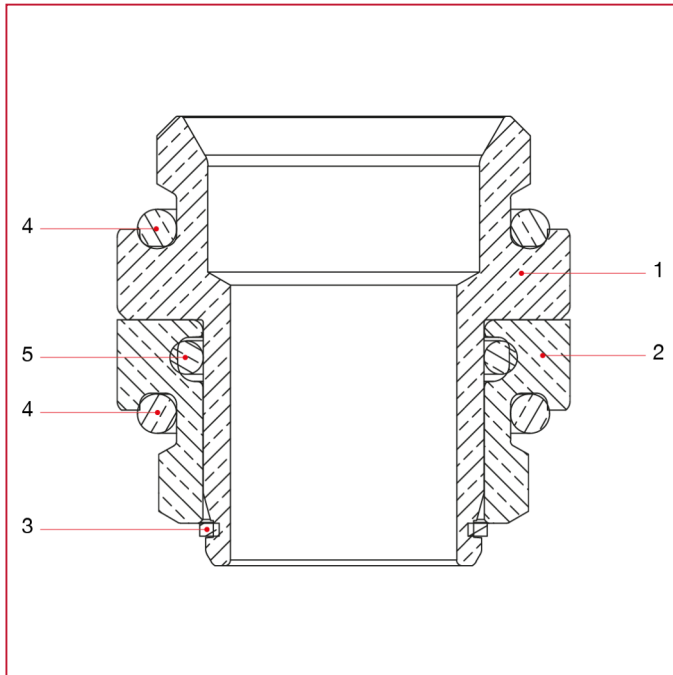




## ACCESSORIES FOR MANIFOLDS

### 497 Adjustable male/male fitting with O-ring

#### MATERIALS



POS.	DESCRIPTION	N.	MATERIAL
1	Support	1	Nickel-plated brass CW617N
2	Nut	1	Nickel-plated brass CW617N
3	Elastic ring	1	Stainless steel AISI 302
4	O-ring	2	EPDM
5	O-ring	1	EPDM