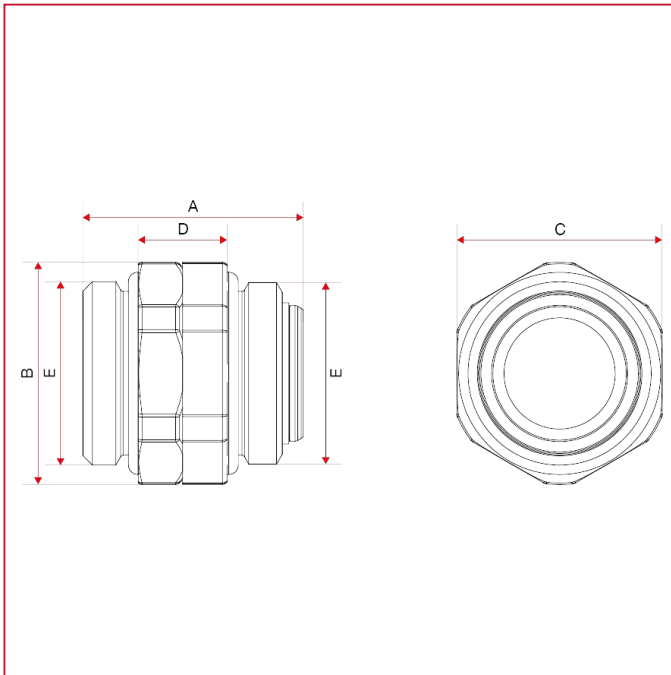




ACCESSORIES FOR MANIFOLDS

497 Adjustable male/male fitting with O-ring

OVERALL DIMENSIONS



	1"
A	40
B	40
C	37
D	16
E	G 1"
Kg/cm ² bar	6
LBS - psi	87