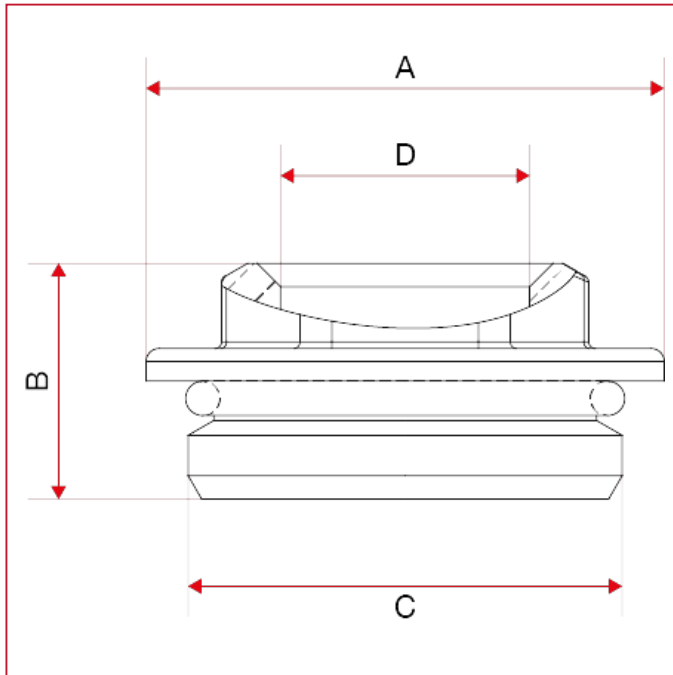




ACCESSORIES FOR MANIFOLDS

495 Male end fitting with o-ring

OVERALL DIMENSIONS



	3/4"X3/8"	3/4"X1/2"	1"X3/8"	1"X1/2"	1"1/4X1/2"
A	33	33	39,5	39,5	48
B	17	17	18	18	22,5
C	3/4"	3/4"	1"	1"	1"1/4
D	3/8"	1/2"	3/8"	1/2"	1/2"
Kg/cm ² bar	10	10	10	10	10
LBS - psi	145	145	145	145	145