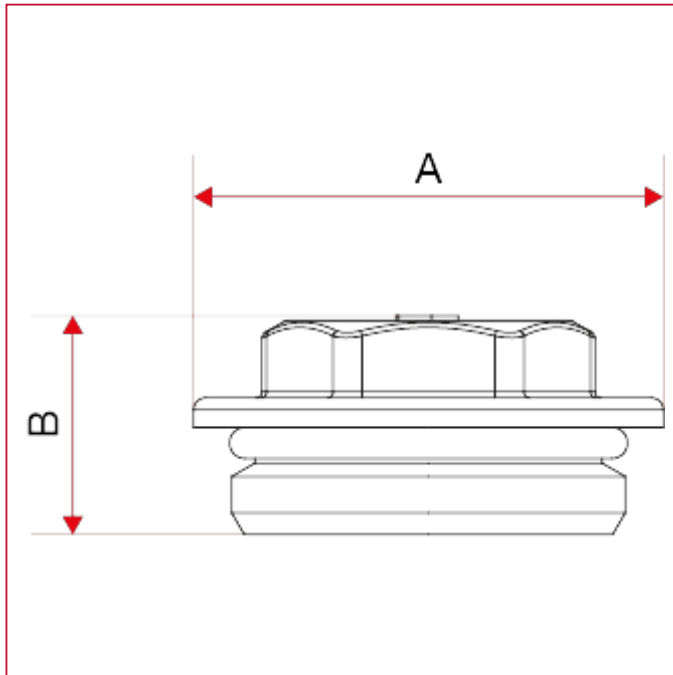




FITTINGS FOR MULTILAYER, PEX, POLYBUTYLENE AND COPPER PIPE

494 Male end cap with o-ring

OVERALL DIMENSIONS



	3/8"	1/2"	3/4"	1"	1"1/4"
A	24	26	33	39,5	48
B	13	14,5	17	18	22,5
Kg/cm ² bar	10	10	10	10	10
LBS - psi	145	145	145	145	145