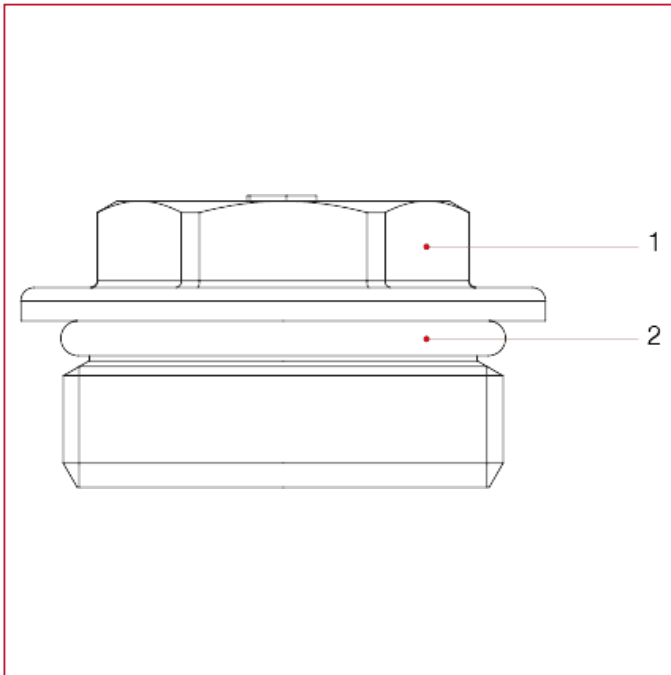




ACCESSORIES FOR MANIFOLDS

494 Male end cap with o-ring

MATERIALS



POS.	DESCRIPTION	N.	MATERIAL
1	Cap	1	Nickel-plated brass CW617N
2	O-ring	1	EPDM