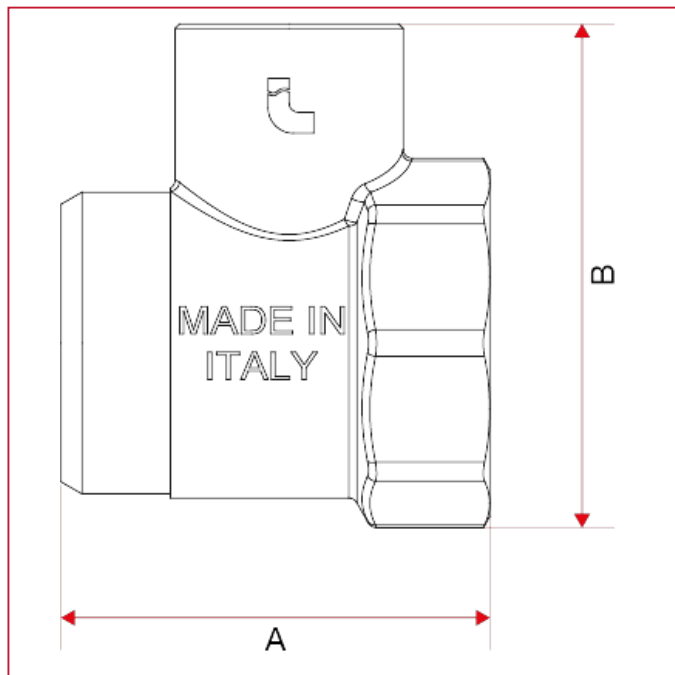




ACCESSORIES FOR MANIFOLDS

492 Thermometer fitting

OVERALL DIMENSIONS



| | 1" |
|------------------------|------|
| A | 47 |
| B | 55,5 |
| Kg/cm ² bar | 10 |
| LBS - psi | 145 |