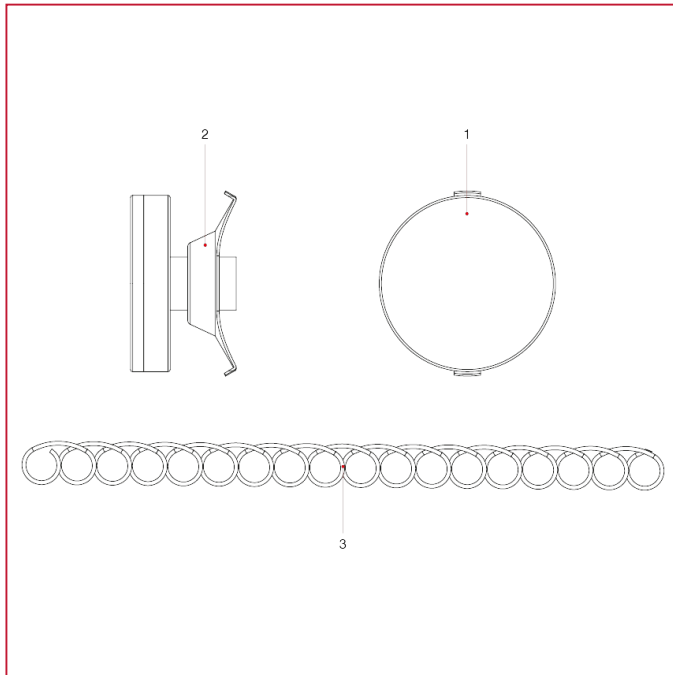




ACCESSORIES FOR MANIFOLDS

492N Surface thermometer

MATERIALS



POS.	DESCRIPTION	N.	MATERIAL
1	Thermometer	1	ABS
2	Bracket	1	Stainless steel AISI 304
3	Spring	1	Stainless steel AISI 302