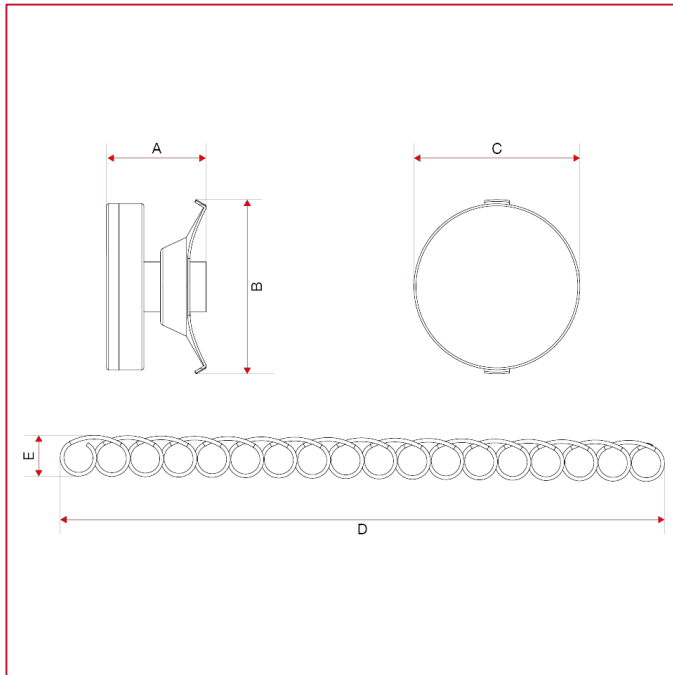




## ACCESSORIES FOR MANIFOLDS

### 492N Surface thermometer

#### OVERALL DIMENSIONS



A	19,5
B	42
C	40,5
D	125
E	10,5