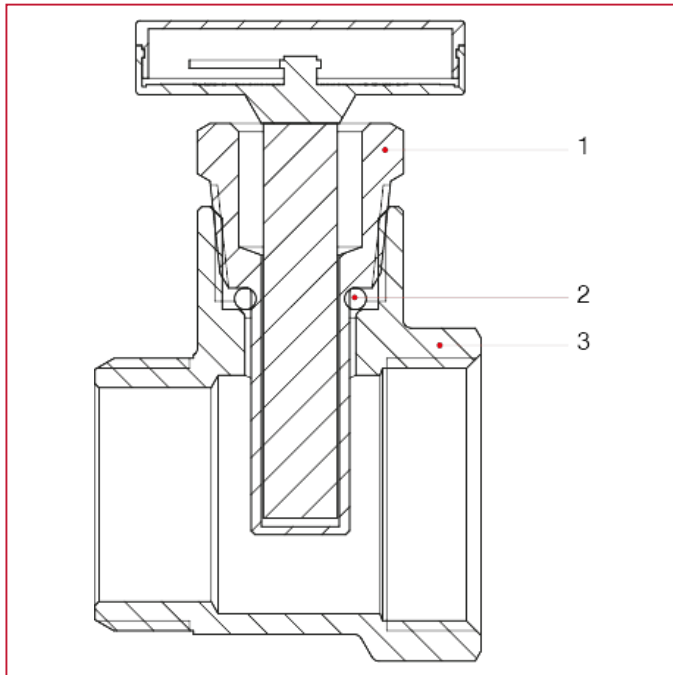




ACCESSORIES FOR MANIFOLDS

492C Thermometer union complete with thermometer

MATERIALS



POS.	DESCRIPTION	N.	MATERIAL
1	Thermometer	1	Brass CW614N
2	O-ring	1	NBR
3	Body	1	Nickel-plated brass CW617N