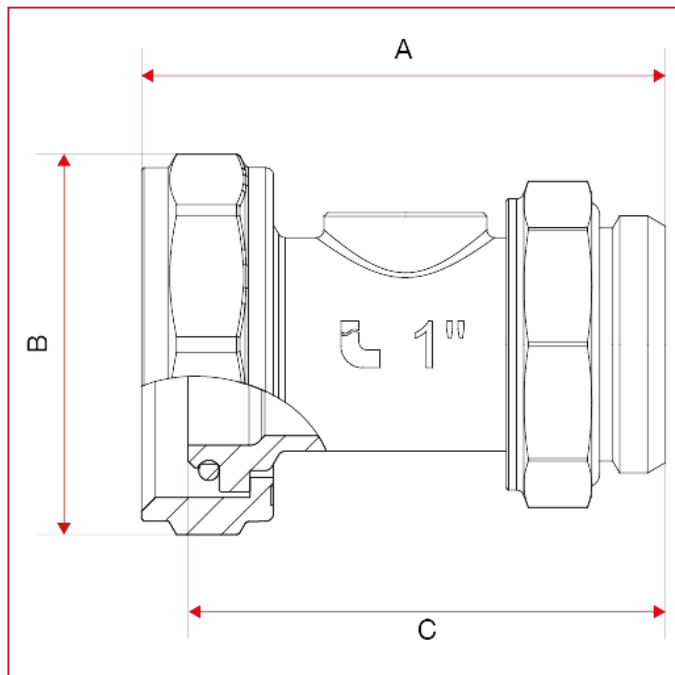




ACCESSORIES FOR MANIFOLDS

492B Thermometer union

OVERALL DIMENSIONS



	1"	1"1/4
A	67,5	79,5
B	49	55
C	61,5	73
Kg/cm ² bar	10	10
LBS - psi	145	145