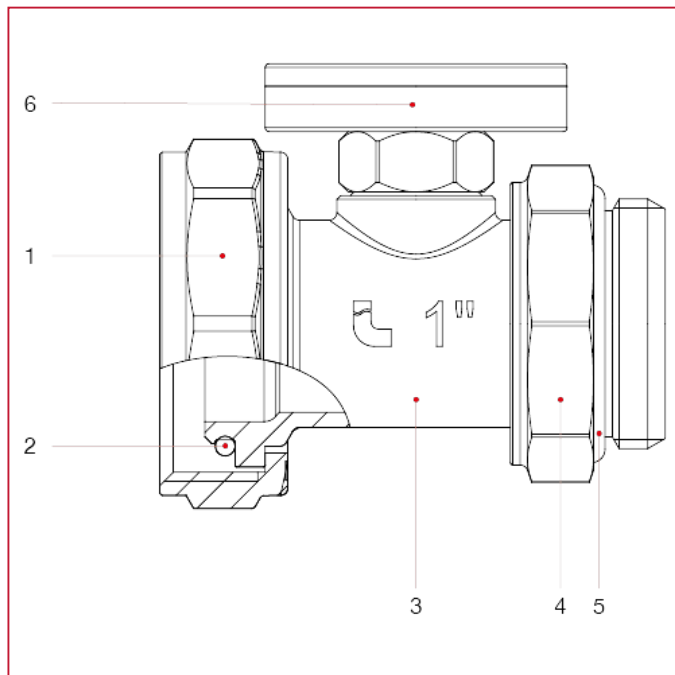




## FULL FLOW BALL VALVES: IDEAL

### 492BC Thermometer union complete with thermometer

MATERIALS size 1"

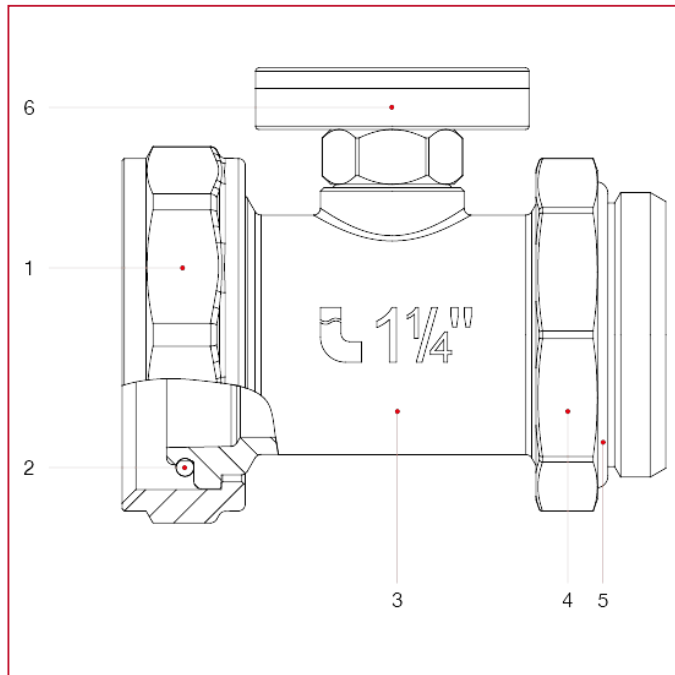


POS.	DESCRIPTION	N.	MATERIAL
1	Nut	1	Nickel-plated brass CW617N
2	O-ring	1	NBR
3	Thermometer fitting	1	Nickel-plated brass CW617N
4	Nut	1	Nickel-plated brass CW617N
5	O-ring	1	NBR
6	Thermometer	1	Brass CW614N



# FULL FLOW BALL VALVES: IDEAL

## MATERIALS size 1"1/4



POS.	DESCRIPTION	N.	MATERIAL
1	Nut	1	Nickel-plated brass CW617N
2	O-ring	1	NBR
3	Thermometer fitting	1	Nickel-plated brass CW617N
4	Nut	1	Nickel-plated brass CW617N
5	O-ring	1	NBR
6	Thermometer	1	Brass CW614N