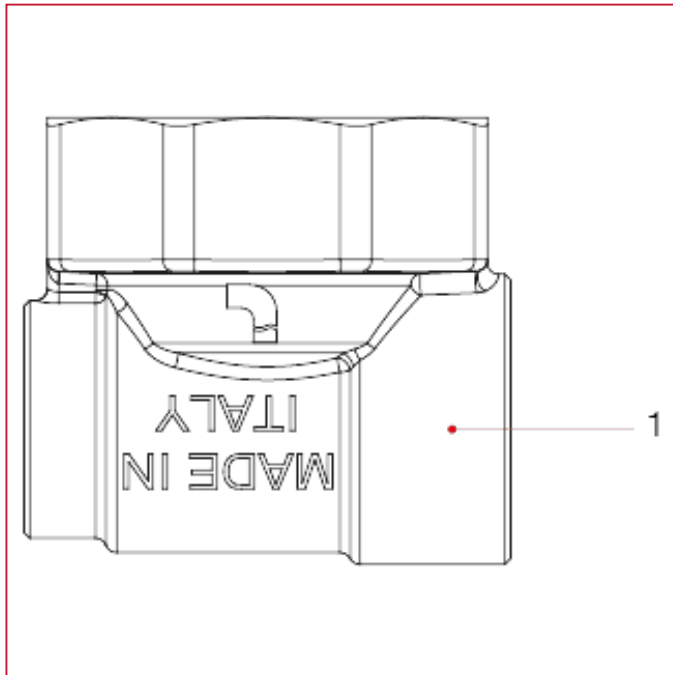




ACCESSORIES FOR MANIFOLDS

491 Female end fitting for manifolds

MATERIALS



POS.	DESCRIPTION	N.	MATERIAL
1	Body	1	Nickel-plated brass CW617N