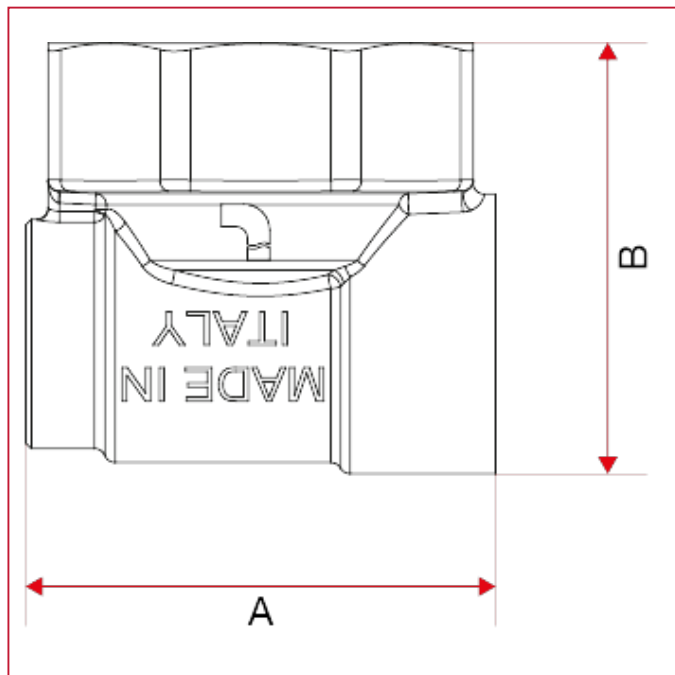




## ACCESSORIES FOR MANIFOLDS

### 491 Female end fitting for manifolds

#### OVERALL DIMENSIONS



	3/4"	1"
A	42	42
B	37,5	38,5
Kg/cm2 bar	10	10
LBS - psi	145	145