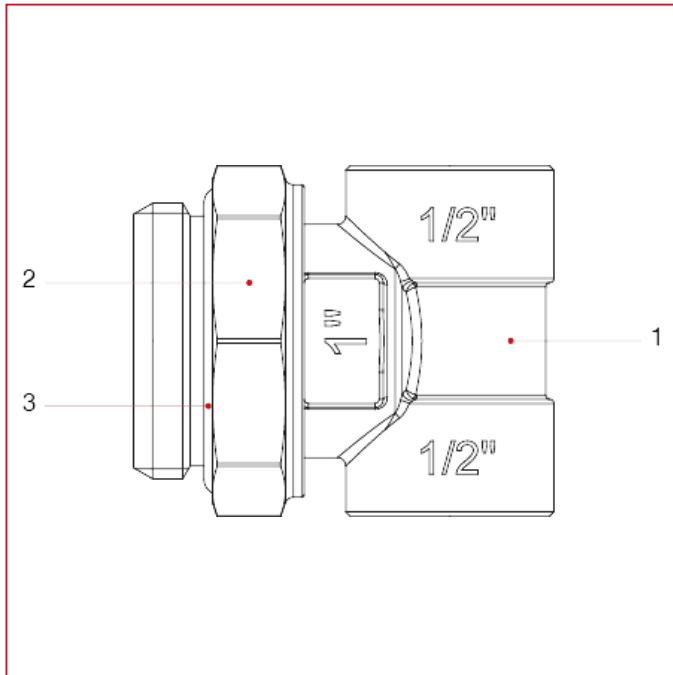




ACCESSORIES FOR MANIFOLDS

490S Adjustable male end fitting for manifolds

MATERIALS size 1"

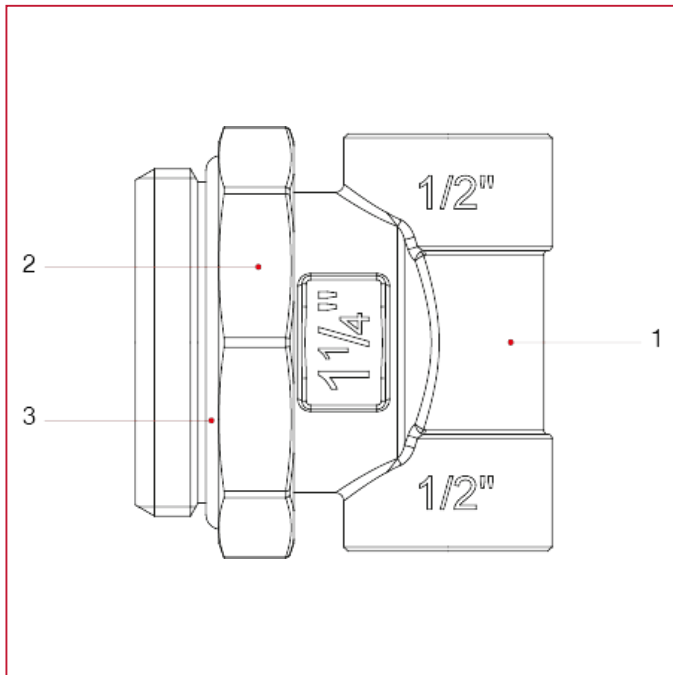


POS.	DESCRIPTION	N.	MATERIAL
1	Body	1	Nickel-plated brass CW617N
2	Nut	1	Nickel-plated brass CW617N
3	O-ring	1	NBR



ACCESSORIES FOR MANIFOLDS

MATERIALS size 1"1/4



POS.	DESCRIPTION	N.	MATERIAL
1	Body	1	Nickel-plated brass CW617N
2	Nut	1	Nickel-plated brass CW617N
3	O-ring	1	NBR