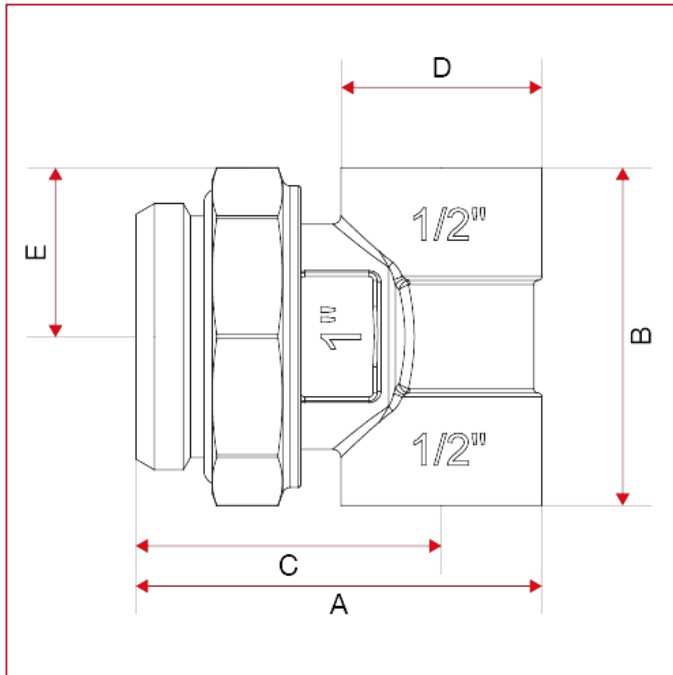




ACCESSORIES FOR MANIFOLDS

490S Adjustable male end fitting for manifolds

OVERALL DIMENSIONS



	1"	1"1/4
A	50,5	50
B	42	50
C	38	37,5
D	25	25
E	21	25
Kg/cm ² bar	10	10
LBS - psi	145	145