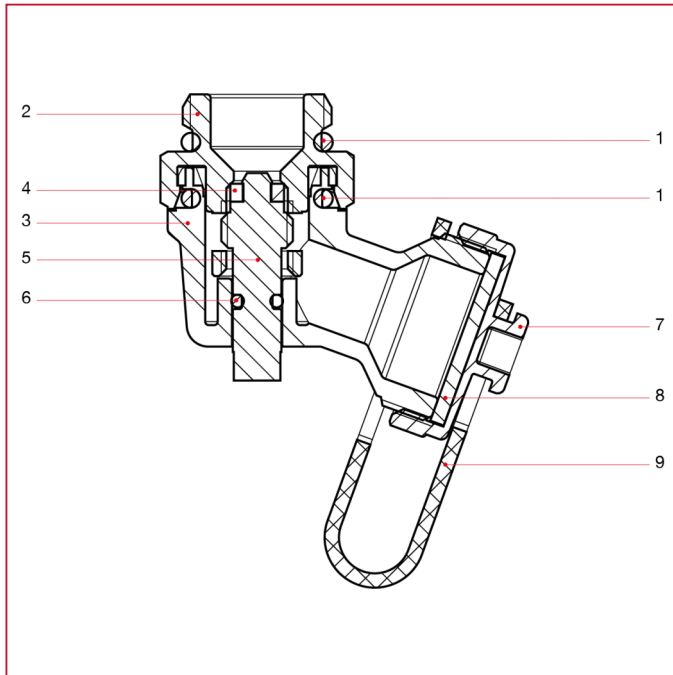




ACCESSORIES FOR MANIFOLDS

489SO Adjustable drain valve

MATERIALS



POS.	DESCRIPTION	N.	MATERIAL
1	O-ring	2	EPDM
2	Body	1	Nickel-plated brass CW614N
3	Adjustable drain	1	Nylon
4	Shutter ring	1	PTFE
5	Shutter	1	Brass CW614N
6	O-ring	1	EPDM
7	Cap	1	Nickel-plated brass CW617N
8	Washer	1	Elastomer
9	Strap	1	Elastomer