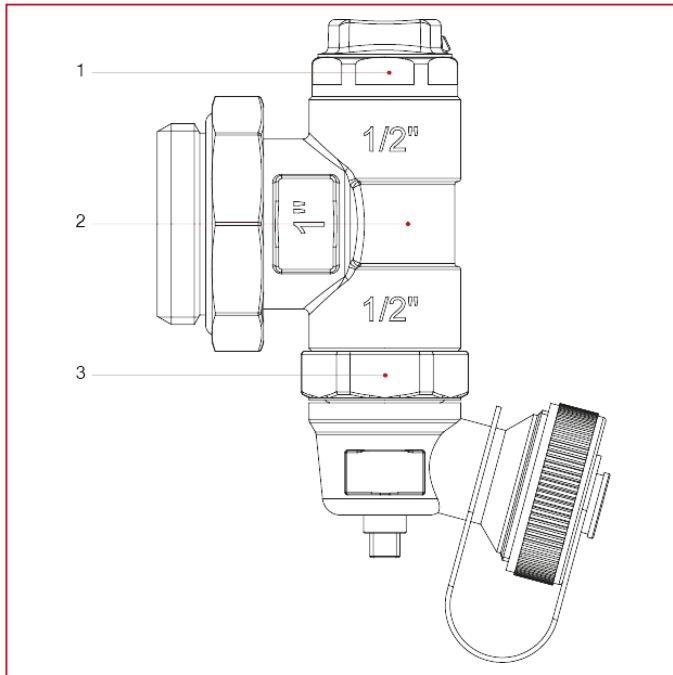




## ACCESSORIES FOR MANIFOLDS

**489M** Nickel-plated adjustable end piece with drain valve and manual air vent valve

### MATERIALS



POS.	DESCRIPTION	N.	MATERIAL
1	Adjustable air-vent valve	1	Nickel-plated brass CW614N
2	Male end fitting	1	Nickel-plated brass CW617N
3	Adjustable drain valve	1	Nickel-plated brass CW617N + Polymer