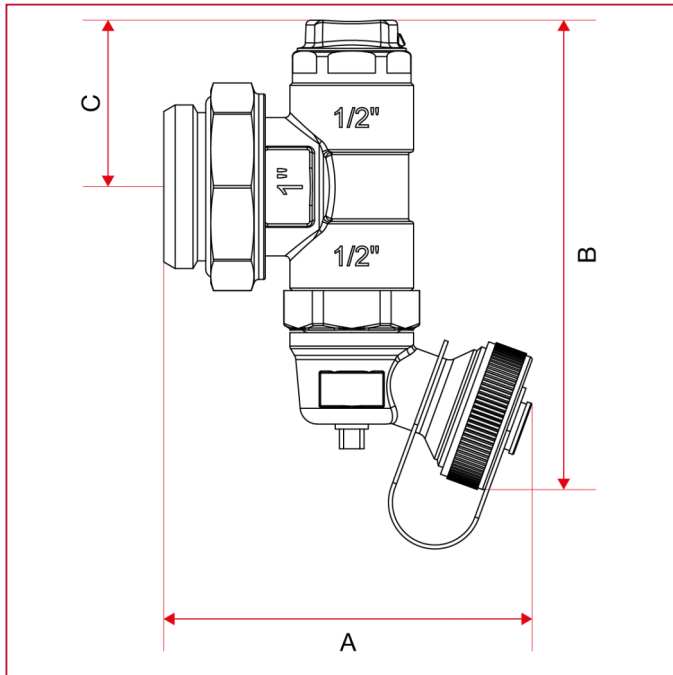




ACCESSORIES FOR MANIFOLDS

489M Nickel-plated adjustable end piece with drain valve and manual air vent valve

OVERALL DIMENSIONS



	1"	1"1/4
A	76	75
B	95	103
C	33,7	37,7
Kg/cm2 bar	10	10
LBS - psi	145	145