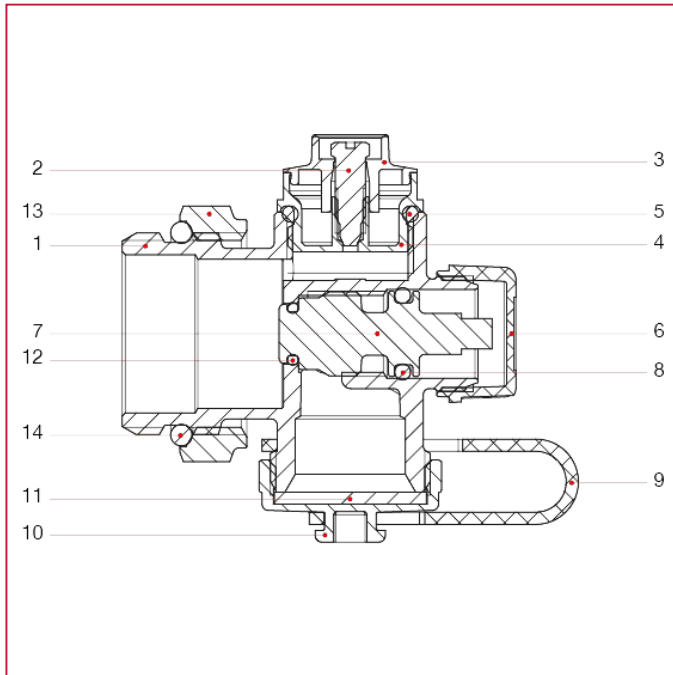




ACCESSORIES FOR MANIFOLDS

489MR Nickel-plated adjustable end piece with drain valve and manual air vent valve

MATERIALS



POS.	DESCRIPTION	N.	MATERIAL
1	Body	1	Nickel-plated brass CW617N
2	Screw	1	Nickel-plated brass CW614N
3	Cap	1	Nylon
4	Adjustable air vent valve body	1	Nickel-plated brass CW614N
5	O-ring	1	EPDM
6	Cap	1	ABS
7	Bonnet	1	Brass CW614N
8	O-ring	1	EPDM
9	Strap	1	CLEARFLEX
10	Cap	1	Nickel-plated brass CW617N
11	Washer	1	IDROTEN
12	O-ring	1	NBR
13	Nut	1	Nickel-plated brass CW617N
14	O-ring	1	NBR