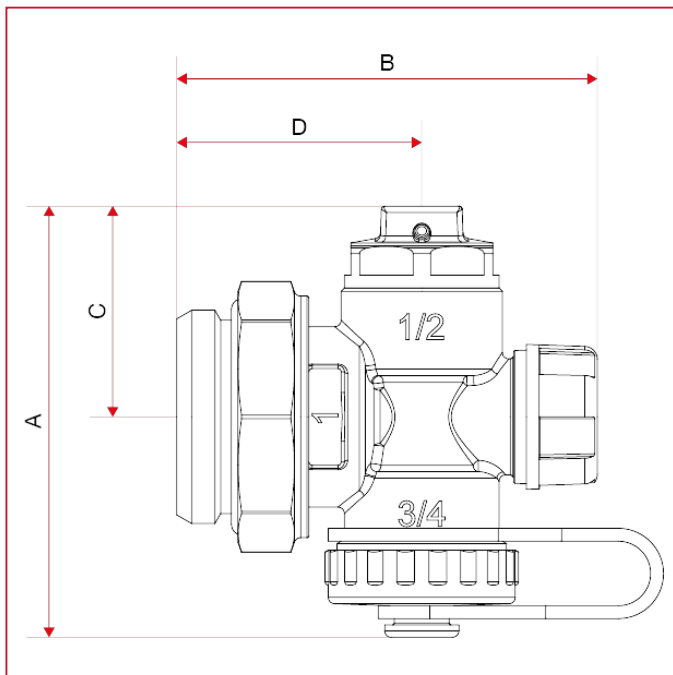




ACCESSORIES FOR MANIFOLDS

489MR Nickel-plated adjustable end piece with drain valve and manual air vent valve

OVERALL DIMENSIONS



	1"
A	66,7
B	65,2
C	32,7
D	38
Kg/cm ² bar	10
LBS - psi	145