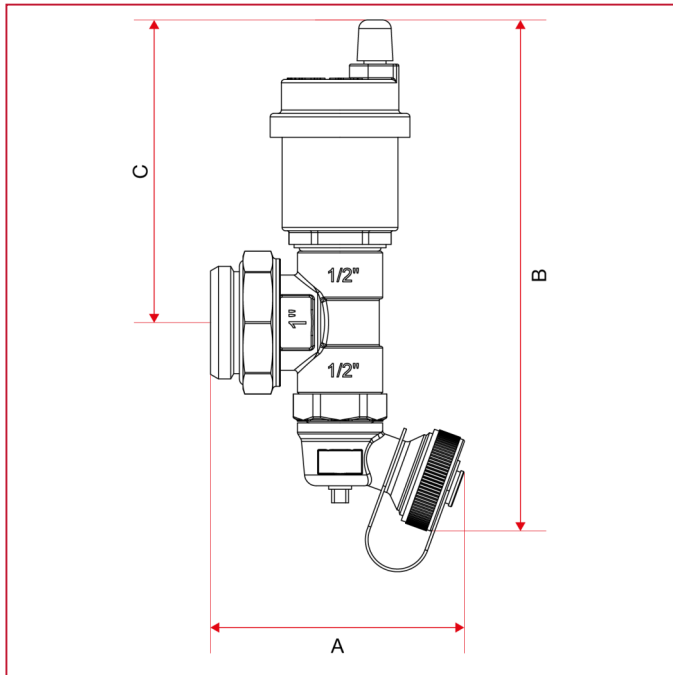




## ACCESSORIES FOR MANIFOLDS

### **489A** Nickel-plated adjustable end piece with drain valve and automatic air vent valve

#### OVERALL DIMENSIONS



	1"	1"1/4
A	76	75
B	150	152
C	89	93
Kg/cm <sup>2</sup> bar	10	10
LBS - psi	145	145