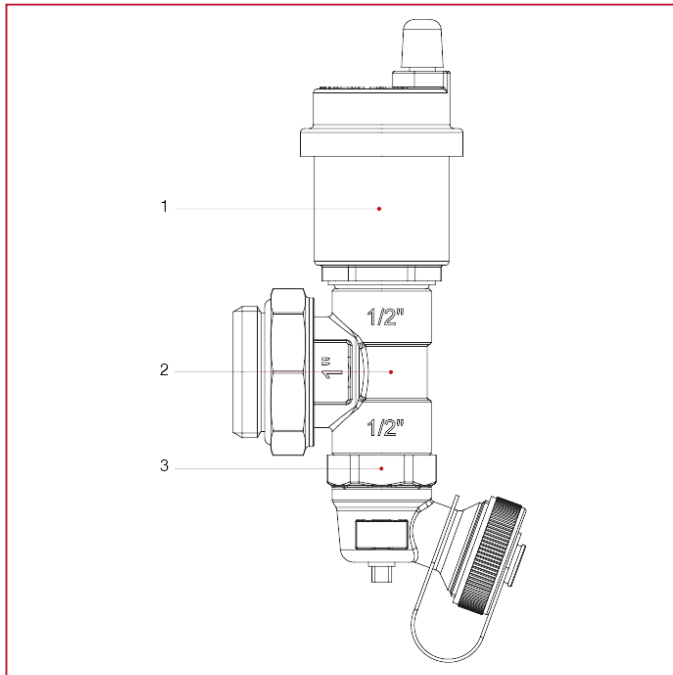




ACCESSORIES FOR MANIFOLDS

489A Nickel-plated adjustable end piece with drain valve and automatic air vent valve

MATERIALS



POS.	DESCRIPTION	N.	MATERIAL
1	Automatic air-vent valve	1	Nickel-plated brass CW617N
2	Male end fitting	1	Nickel-plated brass CW617N
3	Adjustable drain valve	1	Nickel-plated brass CW617N + Polymer