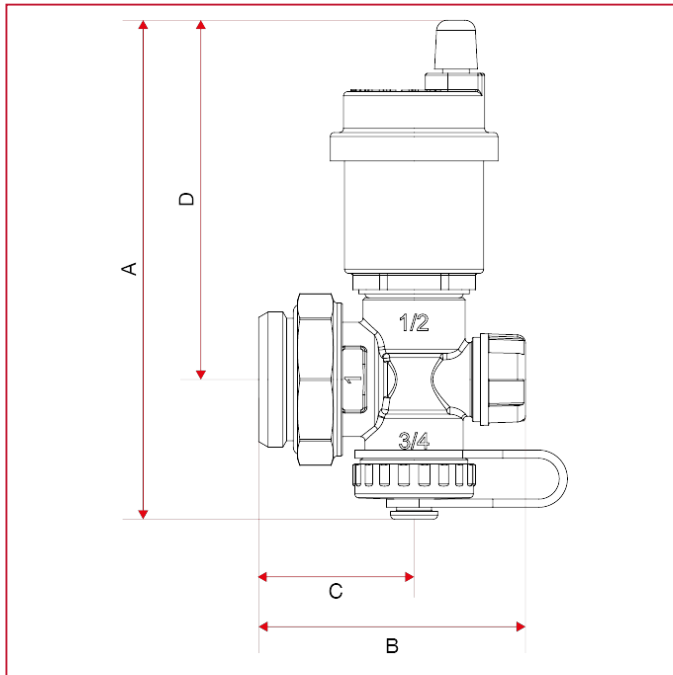




ACCESSORIES FOR MANIFOLDS

489AR Nickel-plated adjustable end piece with drain valve and automatic air vent valve

OVERALL DIMENSIONS



	1"
A	122
B	65,2
C	38
D	88
Kg/cm ² bar	10
LBS - psi	145