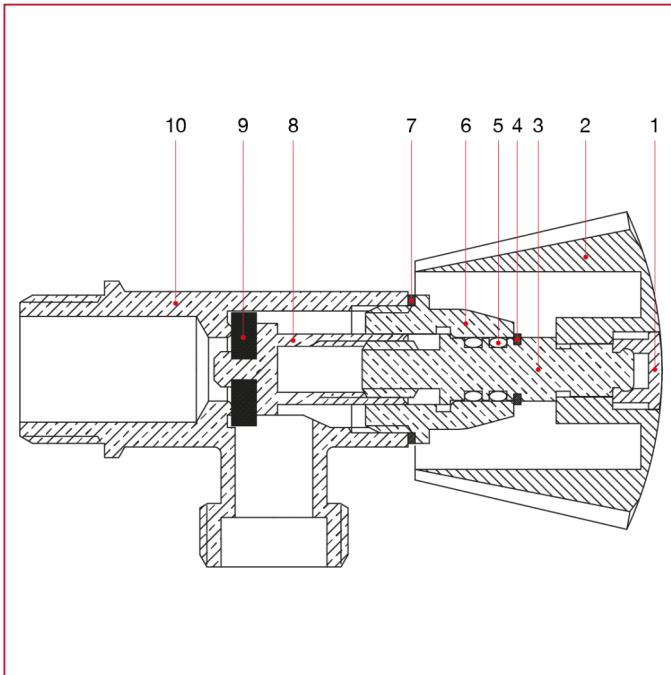




# WASHING MACHINE VALVES

## 488 Angle valve

### MATERIALS



POS.	DESCRIPTION	N.	MATERIAL
1	Handle clip	1	ABS
2	Handle	1	Chrome-plated ABS
3	Bonnet	1	Brass CW617N
4	Ring	1	Stainless steel
5	O-ring	2	NBR
6	Cap	1	Brass CW617N
7	Washer	1	Aluminium
8	Adjusting screw	1	Brass CW617N
9	Washer	1	NBR
10	Body	1	Chrome-plated brass CW617N