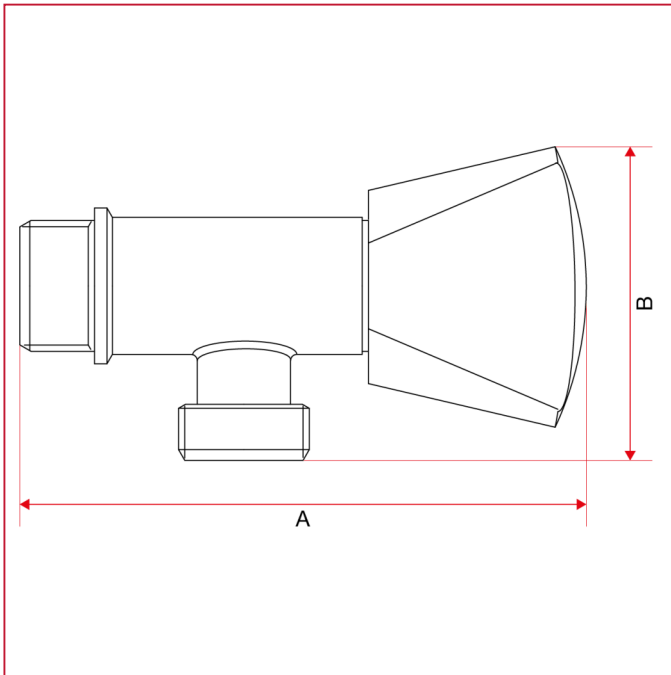




WASHING MACHINE VALVES

488 Angle valve

OVERALL DIMENSIONS



	1/2"
A	82
B	47
Kg/cm ² bar	16
LBS - psi	232