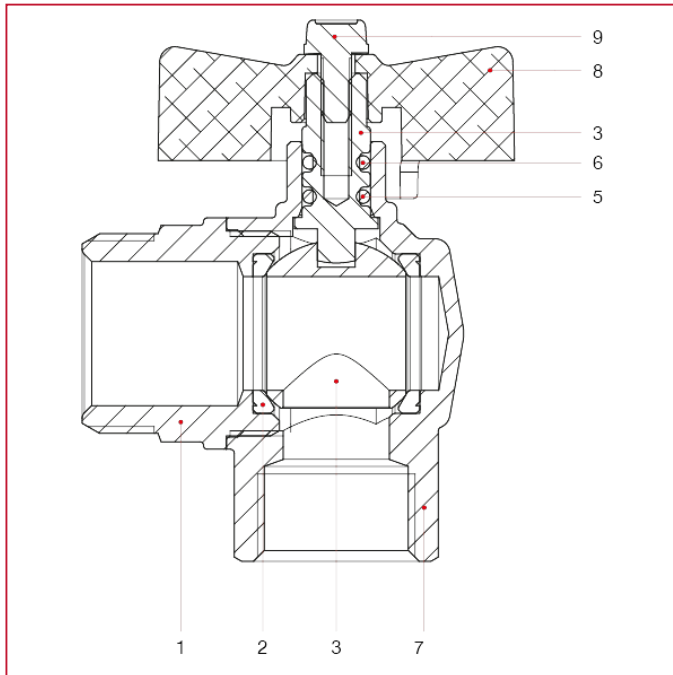




ACCESSORIES FOR MANIFOLDS

487K02 Angle ball valves and thermometer union kit

MATERIALS art.298SDC size 1"

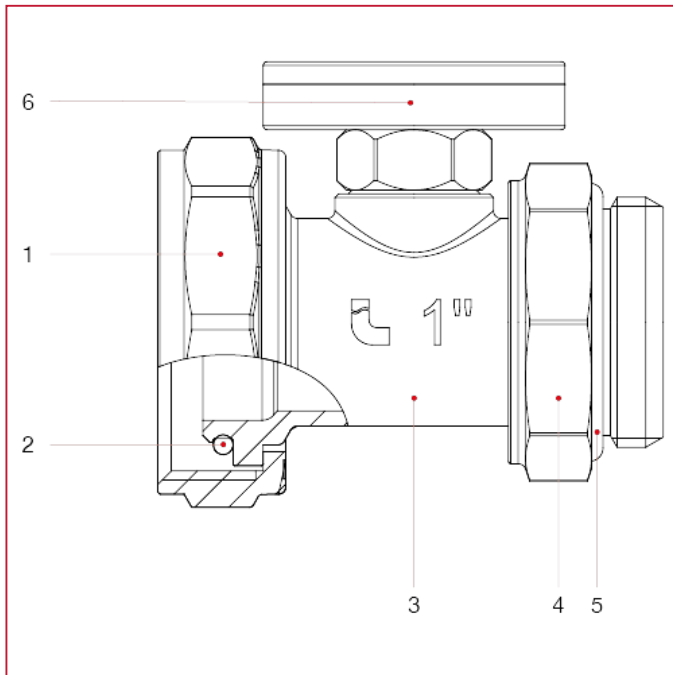


POS.	DESCRIPTION	N.	MATERIAL
1	Male end adapter	1	Nickel-plated brass CW617N
2	Seat	2	P.T.F.E.
3	Ball	1	Chrome-plated brass CW617N
4	Stem	1	Brass CW614N
5	O-ring	1	NBR
6	O-ring	1	Viton®
7	Body	1	Nickel-plated brass CW617N
8	T handle	1	Varnished aluminium
9	Screw	1	Zinc-plated steel C4C



ACCESSORIES FOR MANIFOLDS

MATERIALS art.492BC size 1"



POS.	DESCRIPTION	N.	MATERIAL
1	Nut	1	Nickel-plated brass CW617N
2	O-ring	1	NBR
3	Thermometer fitting	1	Nickel-plated brass CW617N
4	Nut	1	Nickel-plated brass CW614N
5	O-ring	1	NBR
6	Thermometer	1	Brass CW614N