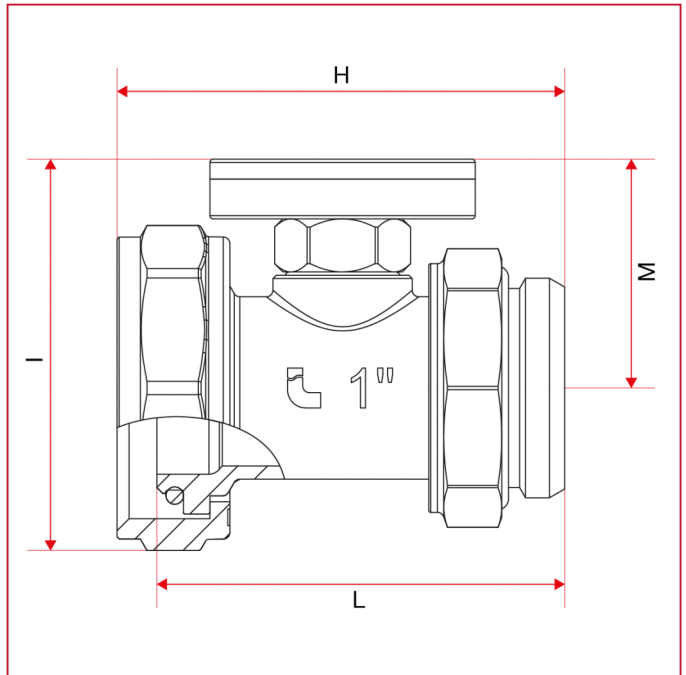
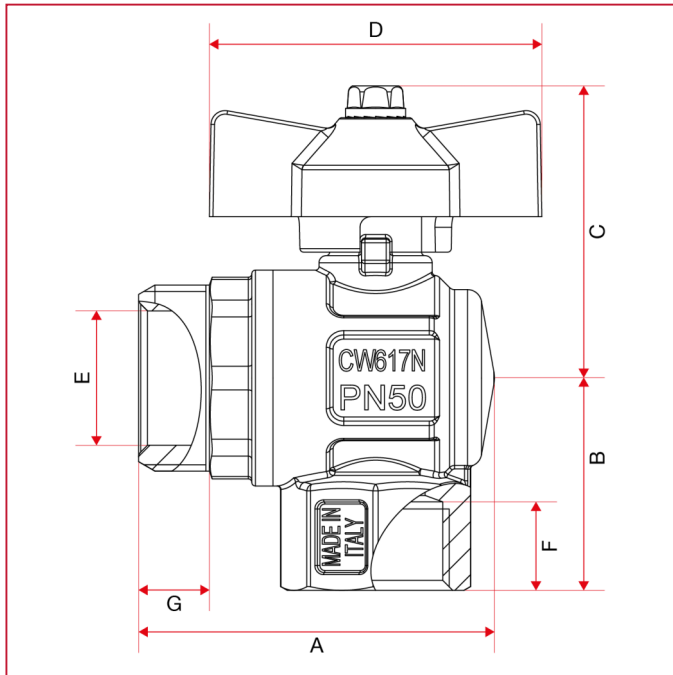




ACCESSORIES FOR MANIFOLDS

487K02 Angle ball valves and thermometer union kit

OVERALL DIMENSIONS



	1"
DN	25
A	47
B	39,75
C	51
D	62
E	23
F	15
G	14
H	67,5
I	49
L	61,5
M	34,5
Kg/cm ² bar	10
LBS - psi	145