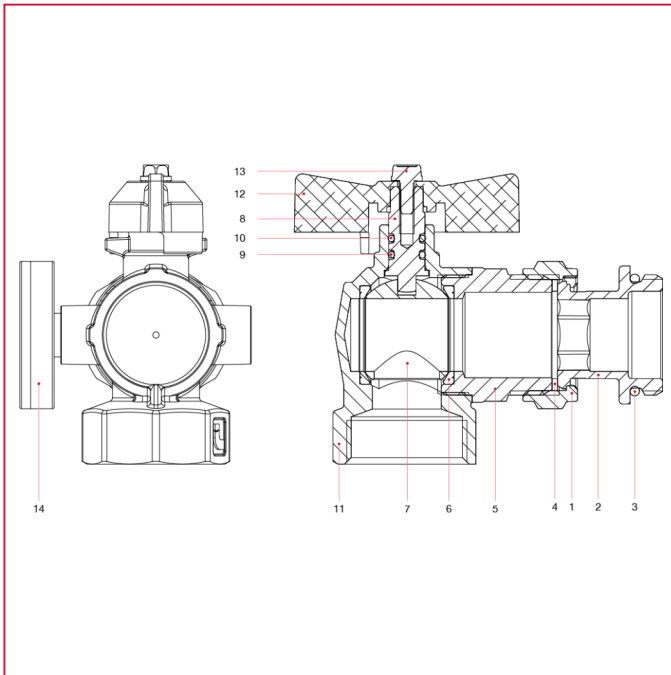




ACCESSORIES FOR MANIFOLDS

487K02R Angle ball valves kit and thermometer – Compact

MATERIALS



POS.	DESCRIPTION	N.	MATERIAL
1	Nut	1	Nickel-plated brass CW617N
2	Union	1	Nickel-plated brass CW617N
3	O-ring	1	EPDM
4	Washer	1	FASIT OMNIA
5	End adapter	1	Nickel-plated brass CW617N
6	Seat	1	P.T.F.E.
7	Ball	1	Chrome-plated brass CW617N
8	Stem	1	Brass CW614N
9	O-ring	1	NBR
10	O-ring	1	VITON®
11	Body	1	Nickel-plated brass CW617N
12	T handle	1	Aluminium
13	Screw	1	Zinc-plated steel C4C
14	Thermometer	1	Polymer